

REV-LOW WITH MJ PERIMETER DEFENSE

**Dry Extractor Type Double Row Island
Box Canopy, with Exhaust Fire Damper**

DD-DI-MJ



**MJ Perimeter
Defense
UL/ULC listed for
87" mounting height**

General Description

The *REV-LOW* hood is used on all double row island cooking equipment lineups. The unit is ceiling hung with a maximum mounting height of 87" (2209 mm) from the lower edge of the canopy to the floor. The ventilator is installed with the core extractor section over the cook's head. The *REV-LOW* hood is available with fluorescent or incandescent lights wired to a J-box. The "MJ" blower discharges through perforated panels located on the bottom front of the hood plenum. The hood is finished with a No. 4 finish on exposed sides and is available with fluorescent, incandescent or recessed incandescent lights wired to a J-box.

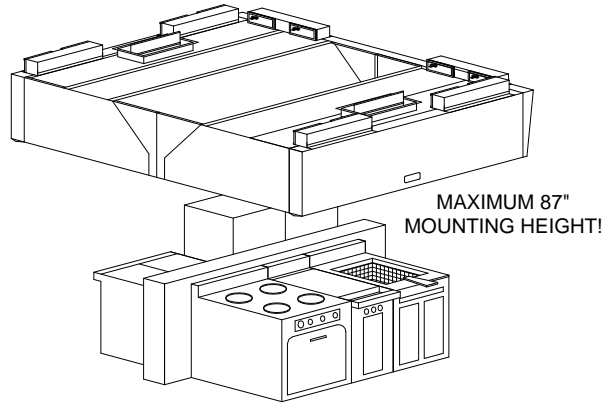
Efficiency

The *MJ Perimeter Defense Dynaflow* allows the exhaust flow to be field adjusted from 70 cfm/ft to 450cfm/ft over each appliance without affecting the overall efficiency of the ventilator. *MJ Perimeter Defense Dynaflow* operates with reduced exhaust when compared to standard kitchen hoods. Once installed in your kitchen it's a simple adjustment to fine-tune your ventilator to provide excellent smoke capture with maximum grease extraction.

Exhaust and Supply

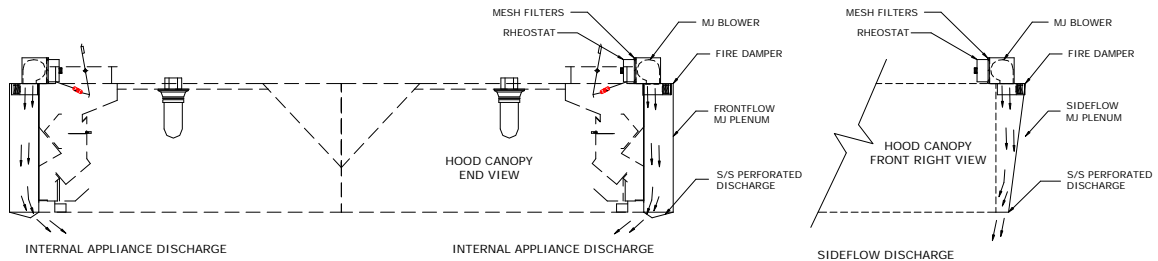
The MJ Perimeter Defense design exhaust volume is based on the appliances under the hood. It's a simple calculation to determine your best exhaust volume for any commercial kitchen lineup. The MJ Perimeter Defense hood can be fine-tuned to provide excellent smoke capture with maximum grease extraction.

Introducing supply air back into the kitchen is good engineering practice. An adequate supply of fresh air

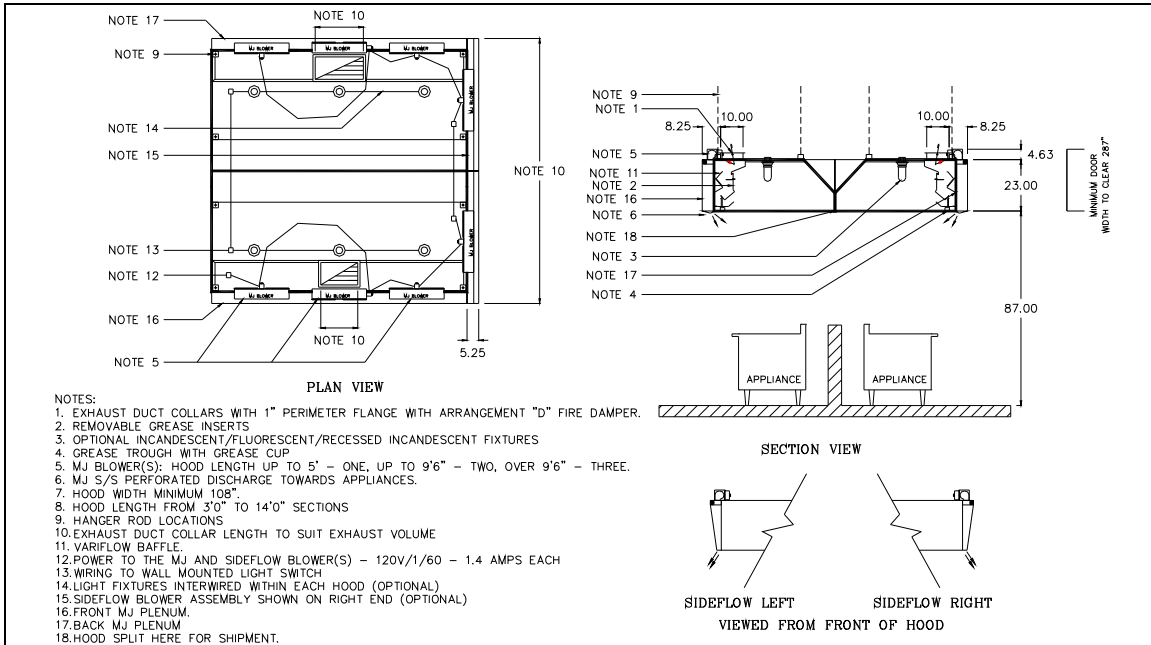


eliminates cold drafts, and hot spots, enhances the capture capability of the hood and results in a more comfortable kitchen environment. A supply air volume of at least 80% of the total exhaust is recommended. The fresh air should be tempered to between 55 and 75F (13 to 24C). Direct the fresh air to separate diffusers surrounding the hood located in the finished ceiling. The diffusers must be located to eliminate short circuiting the exhaust and drafting. Consult with factory for recommended kitchen diffuser locations. If the hood is required to supply the fresh air directly refer to the Spring Air *MB REVFLOW DYNAFLOW specification sheet...*

MJ Perimeter Defense Operation



Model DDDIMJ



Spring Air Systems Model No. DD-DI-MJ Hood Specification

The *REV-LOW* hood dry extractor shall be a Spring Air Systems model no. DD-DI-MJ, double row island box canopy, high efficiency, hood, UL/ULC listed, with MJ air plenum and built in accordance with the NFPA-96. The DD-DI-MJ hood consists of two back DD-BF-MJ hoods in an island arrangement.

The unit casing shall be a minimum 18 GA. stainless steel on all exposed surfaces. Each ventilator shall have a full-length inlet slot, a centrifugal vortex chamber, a vortex and a *VARIFLOW* baffle. The vortex chamber shall provide a full 270-degree centrifugal spin around the vortex baffle. The *VARIFLOW* baffles are field adjustable without special tools to provide the minimum exhaust volume.

Both chambers, the *VARIFLOW* baffles, the fire suppression nozzles shall be fully accessible through removable front grease inserts. The grease inserts shall also be removable without special tools.

The grease trough and cup shall be constructed of stainless steel. The exhaust fire damper shall be an arrangement "D", butterfly type, constructed of stainless steel with blade and edge seals. The fire damper shall be activated by a fusible link and dead weight arrangement.

The double row island hood shall be complete with front and back MJ plenums each with top mounted MJ

blowers to provide ceiling return air to the MJ plenums. The MJ air is discharged out the bottom of the plenums through a s/s perforated plate along the length of the front and back hood. The MJ air is directed towards the appliances under the hood. MJ blower(s) mounted on top of the plenums are complete with adjustable Triacs, washable filters and wired to a common J-box on top of each hood. A fusible link fire damper is located below each MJ blower.

The hood shall have _____ incandescent/fluorescent/recessed incandescent lights evenly spaced along the length of the hood.

- Optional Sideflow right blower
- Optional Sideflow left blower

Engineering Data

Item Number: _____
 Model Number: DDDIMJ _____
 Number of Sections: _____
 Hood Length: _____
 Hood Width: _____
 Lights: _____
 Total Exhaust Volume: _____
 No. of Exhaust Duct Collars: _____
 Size of Exhaust Duct Collar front: _____
 Size of Exhaust Duct Collar back: _____
 Exhaust Static Pressure: _____
 No. of MJ blower: _____
 Total FLA - 120V MJ blowers: _____
 SideFlow LEFT: _____
 SideFlow RIGHT: _____