

# REV-LOW WITH MJ PERIMETER DEFENSE

Dry Extractor  
Box Canopy,



**MJ Perimeter  
Defense**  
UL/ULC listed for  
87" mounting height

## DN-BF-MJ

### General Description

The *REV-LOW* hood is used on all single row cooking equipment lineups, wall mounted. The unit is ceiling hung with a maximum mounting height of 87" (2209 mm) from the lower edge of the canopy to the floor. The ventilator is installed with the core extractor section over the cook's head. The *REV-LOW* hood is available with fluorescent or incandescent lights wired to a J-box. The "MJ" blower discharges through perforated panels located on the bottom front of the hood plenum. The hood is finished with a No. 4 finish on exposed sides and is available with fluorescent, incandescent or recessed incandescent lights wired to a J-box.

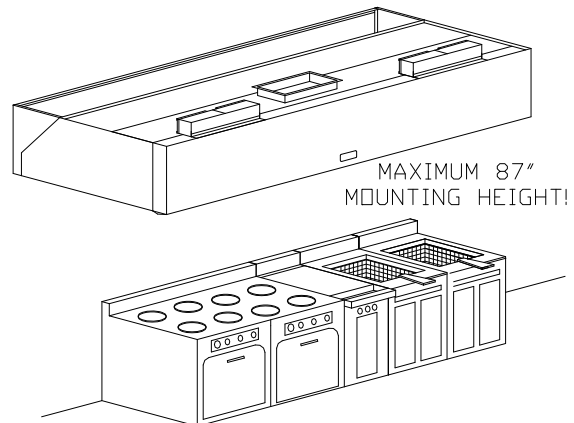
### Efficiency

The *MJ Perimeter Defense DynafLOW* allows the exhaust flow to be field adjusted from 70 cfm/ft to 450cfm/ft over each appliance without affecting the overall efficiency of the ventilator. *MJ Perimeter Defense DynafLOW* operates with reduced exhaust when compared to standard kitchen hoods. Once installed in your kitchen it's a simple adjustment to fine-tune your ventilator to provide excellent smoke capture with maximum grease extraction.

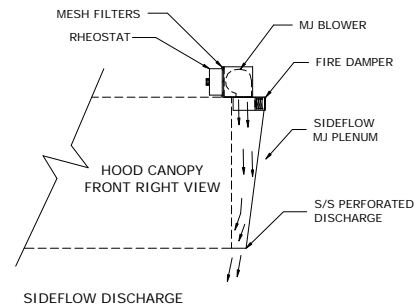
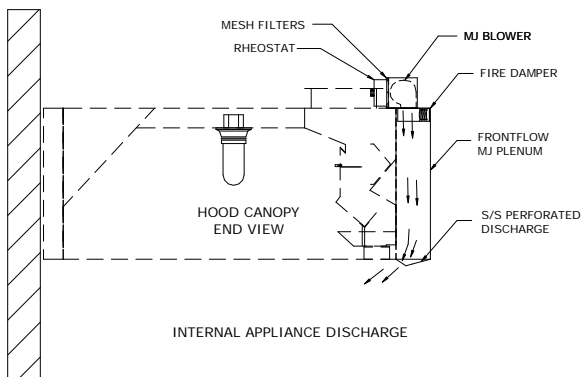
### Exhaust and Supply

The MJ Perimeter Defense design exhaust volume is based on the appliances under the hood. It's a simple calculation to determine your best exhaust volume for any commercial kitchen lineup. The MJ Perimeter Defense hood can be fine-tuned to provide excellent smoke capture with maximum grease extraction.

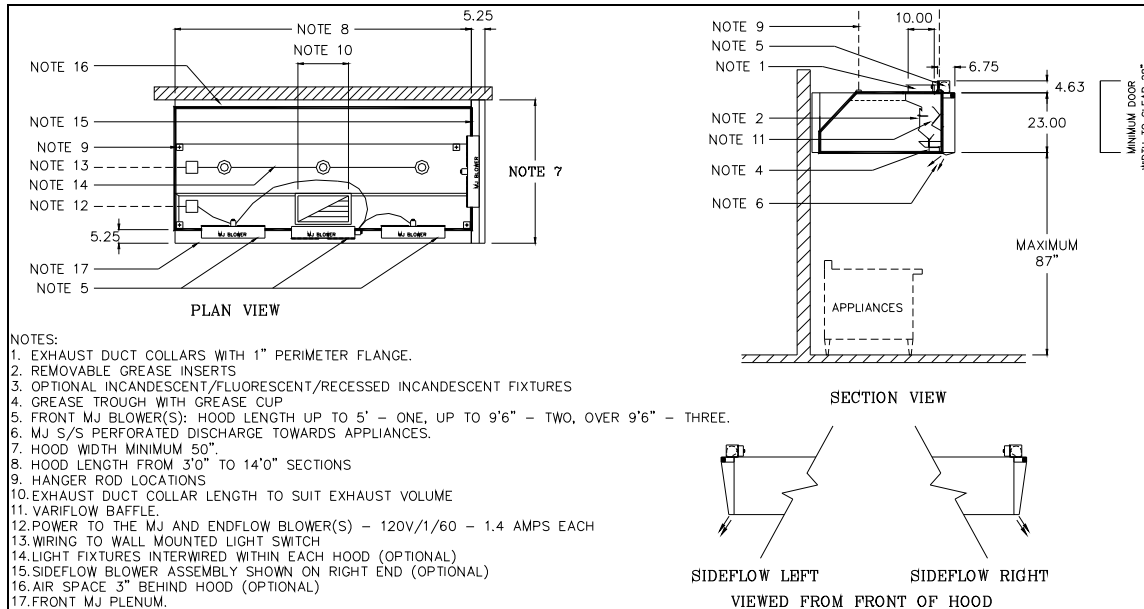
Introducing supply air back into the kitchen is good engineering practice. An adequate supply of fresh air



eliminates cold drafts, and hot spots, enhances the capture capability of the hood and results in a more comfortable kitchen environment. A supply air volume of at least 80% of the total exhaust is recommended. The fresh air should be tempered to between 55 and 75F (13 to 24C). Direct the fresh air to separate diffusers surrounding the hood located in the finished ceiling. The diffusers must be located to eliminate short circuiting the exhaust and drafting. Consult with factory for recommended kitchen diffuser locations. If the hood is required to supply the fresh air directly refer to the Spring Air *MB REVFLOW DYNAFLOW* specification sheet...



### Model DDBFMJ



#### Spring Air Systems Model No. DN-BF-MJ Hood Specification

The *REV-LOW* hood dry extractor shall be a Spring Air Systems model no. DN-BF-MJ, box canopy, high efficiency, hood, UL/ULC listed, with MJ air plenum and built in accordance with the NFPA-96.

The unit casing shall be a minimum 18 GA. stainless steel on all exposed surfaces. The ventilator shall have a full-length inlet slot, a centrifugal vortex chamber, a vortex and a *VARIFLOW* baffle. The vortex chamber shall provide a full 270-degree centrifugal spin around the vortex baffle. The *VARIFLOW* baffles are field adjustable without special tools to provide the minimum exhaust volume.

Both chambers, the *VARIFLOW* baffles, the fire suppression nozzles shall be fully accessible through removable front grease inserts. The grease inserts shall also be removable without special tools. The grease trough and cup shall be constructed of stainless steel.

The MJ blowers provides ceiling return air to the MJ plenum which discharges out the bottom of the plenum through a s/s perforated plate along the length of the MJ plenum. The return air is directed through the MJ plenum towards the appliances. MJ blower(s)

mounted on top of the plenum shall be complete with adjustable Triacs, washable filters and wired to a common J-box on top of the hood. A fusible link fire damper is located below each MJ blower.

The hood shall have \_\_\_\_\_ incandescent/fluorescent/recessed incandescent lights evenly spaced along the length of the hood.

- Optional Sideflow right blower
- Optional Sideflow left blower

#### Engineering Data

Item Number: \_\_\_\_\_  
 Model Number: dnbfmj \_\_\_\_\_  
 Number of Sections: \_\_\_\_\_  
 Hood Length: \_\_\_\_\_  
 Hood Width: \_\_\_\_\_  
 Lights: \_\_\_\_\_  
 Exhaust Volume: \_\_\_\_\_  
 No. of Exhaust Duct Collars: \_\_\_\_\_  
 Size of Exhaust Duct Collar \_\_\_\_\_  
 Exhaust Static Pressure: \_\_\_\_\_  
 No. of MJ blower: \_\_\_\_\_  
 Total FLA - 120V MJ blowers: \_\_\_\_\_  
 SideFlow LEFT: \_\_\_\_\_  
 SideFlow RIGHT: \_\_\_\_\_

dnbfmj