

Dynaflow
**UL listed for 87”
mounting height**

DYNAFLOW Hood

FN-DB-MJ60 with fresh air

Double Box Canopy, Single Row Appliance Filter/Cartridge Type

General Description

The MJ Perimeter Defense hood with fresh air is NFPA-96, Type 1, listed for use with all temperature ranges on single row, island cooking equipment lineups. The unit is ceiling hung with a maximum mounting height of 87” (2209 mm) from the lower edge of the canopy to the floor. The MJ box canopy can be tapered to 11” (279 mm) at the front. The hood is finished with a number 4 finish on exposed sides. The *Dynaflow* hood is available with fluorescent, incandescent, LED or recessed incandescent lights wired to a J-box.

Efficiency

The *Dynaflow* hood is equipped with UL/ULC listed baffle grease filters or cartridges. Five extraction methods are available with *Dynaflow*.

VE – Value Engineered – standard grease extraction efficiency Stainless steel baffles.

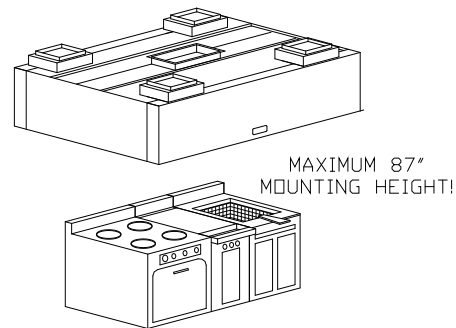
CA – Medium grease extraction efficiency cartridges with adjustable flow baffles.

HE – High grease extraction Efficiency Cascade baffles for Enviro applications and reducing grease discharge from buildings.

EC – Easy Clean Teflon, Lower grease extraction efficiency baffles for hot, heavy grease laden appliances.

Spark Arrestor – standard grease extraction efficiency, for solid fuel appliances..

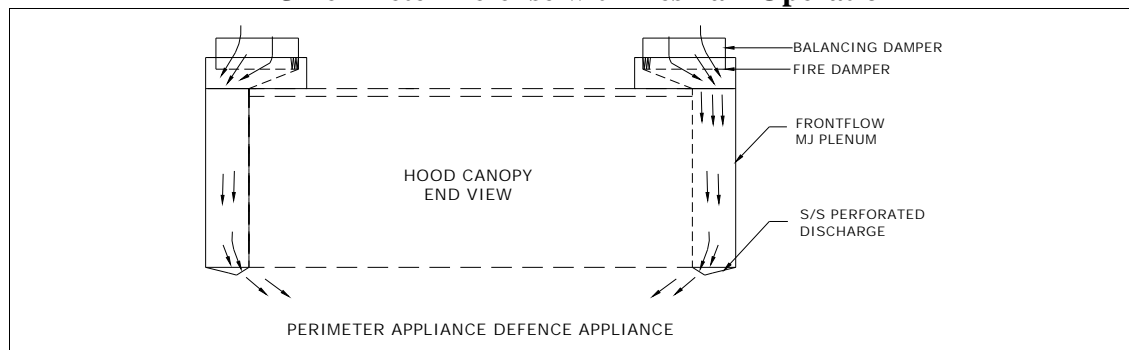
Exhaust and Supply



The *Dynaflow* design provides the complete commercial kitchen ventilation package. The *Dynaflow* hood exhaust calculations are based on the appliance below the hood. Heated and/or cooled fresh air ducting is connected to the two supply duct collars on the top, front of the hood. The fresh air flows into these connections through the supply fire damper and to the *Dynaflow* chamber. Fresh is directed to two locations within the perimeter of the cooking appliances.

1. Fresh air is discharge down through a S/S perforated plate toward the kitchen appliances to reduce the net exhaust flow required for the total appliance lineup.
2. Fresh air is discharge down through a S/S perforated plate toward the cook to provide ambient cooling for the cooks operating under the hood.

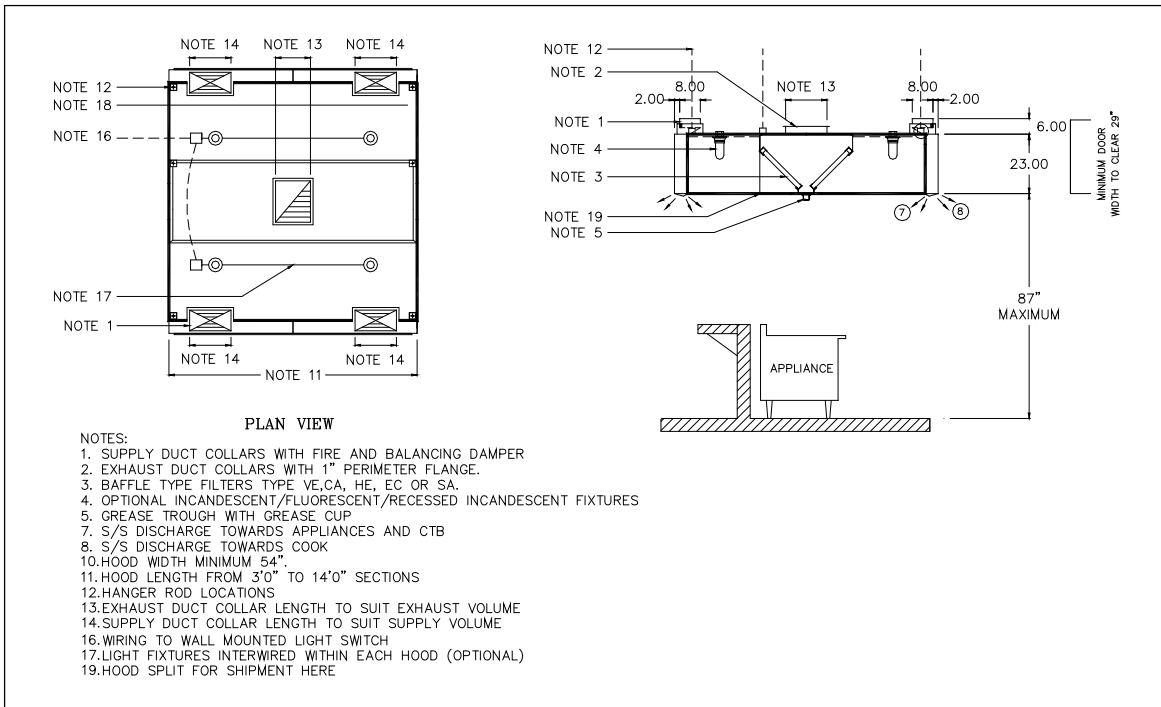
MJ Perimeter Defense with fresh air Operation



The fresh air discharges through a fusible link fire damper into the MJ Plenum. The air is then discharged from the bottom through the MJ-Grill. The air can be proportioned between the appliances and the chef area by adjusting the

comfort tuning dial. In the middle of the Chef Region is an adjustable Comfort Tuning Dial. The Comfort Tuning Dial proportions the amount of air to the Chef Region.

Model FNDBMJ60



Spring Air Systems Model No. FN-DB-MJ60 with fresh air Hood Specification

The *Dynaflow* hood shall be a Spring Air Systems model no. FN-DB-MJ60 with fresh air, single row island lineup and double row, box canopy, baffle extractor hood, with exhaust fire damper, with "MJ" Dynaflow air plenum, UL/ULC listed, NSF certified and built in accordance with the NFPA-96.

The baffle extractors shall be one of the following:

1. VE –Stainless steel baffles.
2. CA – Cartridges with adjustable flow baffles.
3. HE – High Efficiency Cascade
4. EC – Easy Clean Teflon baffles
5. SA – Spark Arrestor for sold fuel appliances.

The unit casing shall be a minimum 18 GA. stainless steel, with No. 4 finish on all four exposed surfaces. The hood shall include UL/ULC listed grease filters mounted in an integral stainless steel rack inclined at 45 degrees. The filter rack shall include a full length stainless steel grease gutter and grease cup.

The double row island hood shall be two MJ plenums. The fresh air discharges out the bottom of the plenum through an s/s perforated MJ Grille along the length of the hood. The

fresh is directed through the bottom of the front and back MJ plenum towards the appliances under the hood. A fusible link fire damper is located in each supply duct collar.

The hood shall have ___ incandescent/fluorescent/recessed incandescent lights evenly spaced along the length of the hood.

Engineering Data

Item Number:	_____
Model Number:	FNDBMJ60 with fresh air
Number of Sections:	_____
Hood Length:	_____
Hood Width:	_____
Lights:	_____
Exhaust Volume:	_____
No. of Exhaust Duct Collars:	_____
Size of Exhaust Duct Collar:	_____
Exhaust Static Pressure:	_____
Supply Volume:	_____
Supply No. of Duct Collars:	_____
Supply Size of Duct Collar:	_____
Supply Static Pressure:	_____

FNDBMJ60 with fresh air